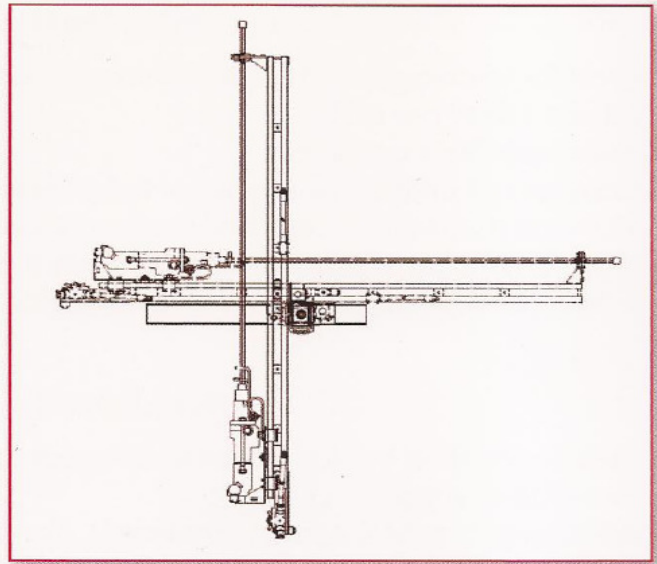
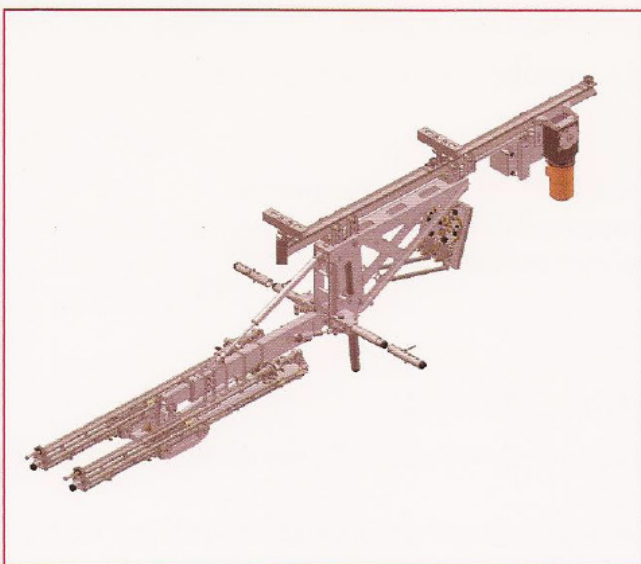
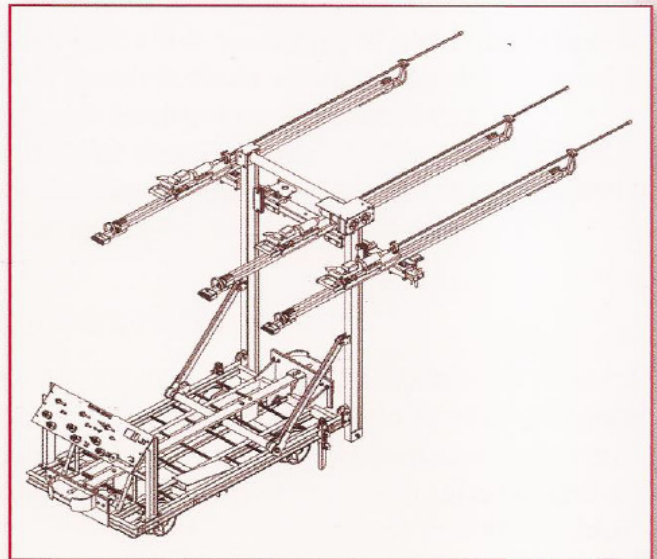
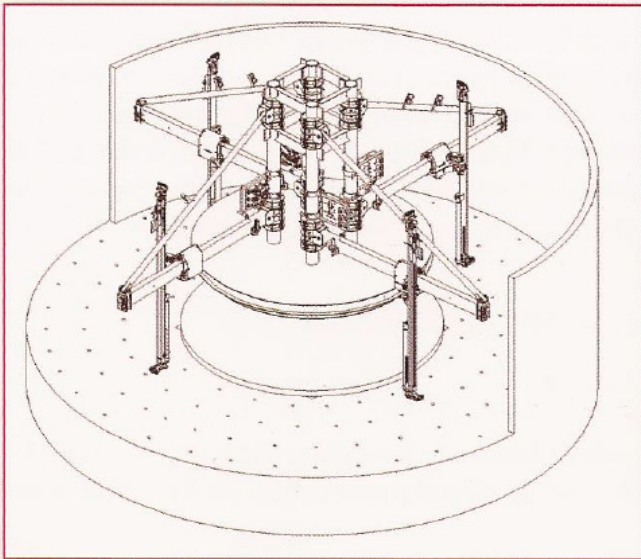


---

# MECHANISED DRILLING RIGS

FOR PRODUCTION AND UTILITY DRILLING

---



**NOVATEK**

INNOVATION IN MINING

[www.novatek.co.za](http://www.novatek.co.za) +27 (11) 210-0700



## APPLICATIONS

Novatek are able to engineer drills and drilling rigs for a wide range of custom applications. We have developed rigs for shaft sinking, flat end development, raise and incline development, attachments to mechanized equipment such as loaders and cherry pickers.

Novatek are able to supply feeds to suit pneumatic, hydropower and oil hydraulic drills. We supply compact hydropowered rockdrills and oil hydraulic drills for use on the above. We have also supplied percussive drills for operation underwater.

### WATER HYDRAULIC APPLICATIONS

- Ideal if hydropower is available; e.g. as a plug-in supply.
- Ideal if oil contamination or leakage is a problem.
- Suits track mounted applications – using independent locos for mobility. Mobility is limited unless vehicles are fitted with on-board power. Electric or diesel power may be fitted for traction.
- Suits multiblast operation.

### OIL HYDRAULIC APPLICATIONS

- Ideal for trackless vehicles with existing onboard hydraulics of sufficient power (about 18 kW per drill).
- Suits multiblast operation.
- Compact oil drills allow the use of lightweight feeds and hydraulic elements.
- Rockdrill use requires onboard cooling power of approx 10 kW per drill.
- Overall systems can be more complex, with more sophisticated controls and interlocks. Valve reliability is usually superior.

### PNEUMATIC APPLICATIONS

- Ideal for existing mining systems using pneumatic power, with 400 kPa minimum pressure as a plug-in supply.
- Advantageous for low cost, simple rigs. Usually only capable of drilling one round per shift.
- Drilling using feeds is typically 50% faster than jackdrilling; energy usage is thus also reduced. (Note that drilling rates will be lower than for hydraulic systems.)
- Overall systems are usually much simpler than hydraulics; controls are unsophisticated.

Note that specifications are subject to change without notice. Products are subject to patent protection.